

**TECHNICAL DATASHEET**

**GL NYLON multipurpose plug**

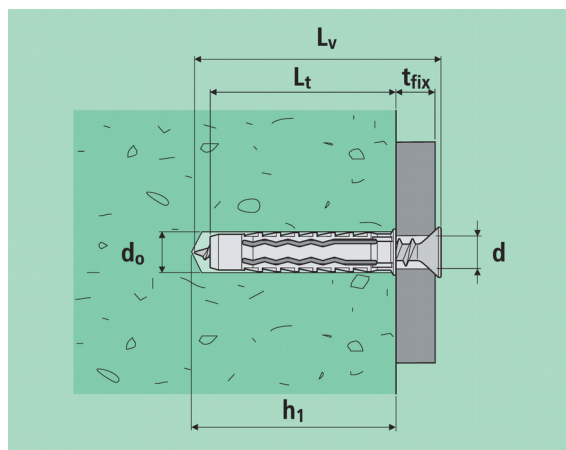
EN  
rev 12/2017  
p. 1/3



Multipurpose nylon plug with 4-parts structure  
For non-push-through and push-through installation  
Can be used with chipboard and metric screw  
Also available with extended lengths 6x45 and 8x50

**Base material**

specific use	suitable use
concrete natural stone solid masonry perforated masonry	hollow masonry concrete hollw blocks plasterboard AAC



- $d_0$  = plug diameter = hole diameter
- $L_t$  = plug length
- $h_1$  = minimum hole depth
- $h_{nom}$  = nominal embedment depth
- $h_{ef}$  = effective anchorage depth
- $d$  = screw diameter
- $L_v$  = screw length
- $t_{fix}$  = fixable thickness

non-push-through installation:

$$h_{nom} = h_{ef} = L_t$$

$$L_v \geq L_t + t_{fix}$$

push-through installation:

$$h_{nom} = h_{ef} < L_t$$

$$L_v \geq L_t$$

**GL Nylon**

art.	descr.	d mm	$L_t$ mm	$h_1$ mm	$d_v$ mm
65001	GL5	5	25	35	3 ÷ 4
65002	GL6	6	30	45	4 ÷ 5
65115	GL645	6	45	60	4 ÷ 5
65003	GL8	8	40	55	4.5 ÷ 6
65116	GL850	8	50	65	4.5 ÷ 6
65004	GL10	10	50	65	6 ÷ 8
65017	GL12	12	60	80	8 ÷ 10
65018	GL14	14	70	90	10 ÷ 12

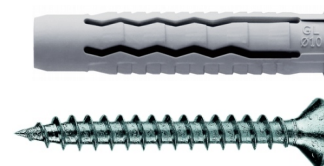


**TECHNICAL DATASHEET**
**GL NYLON multipurpose plug**

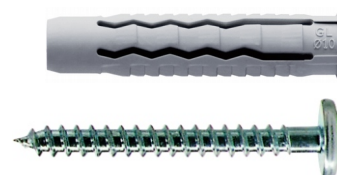
 EN  
 rev 12/2017  
 p. 2/3

**GL Nylon with chipboard countersunk screw, cross head, white-zinc plated**

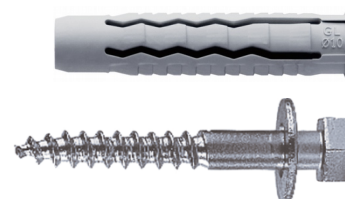
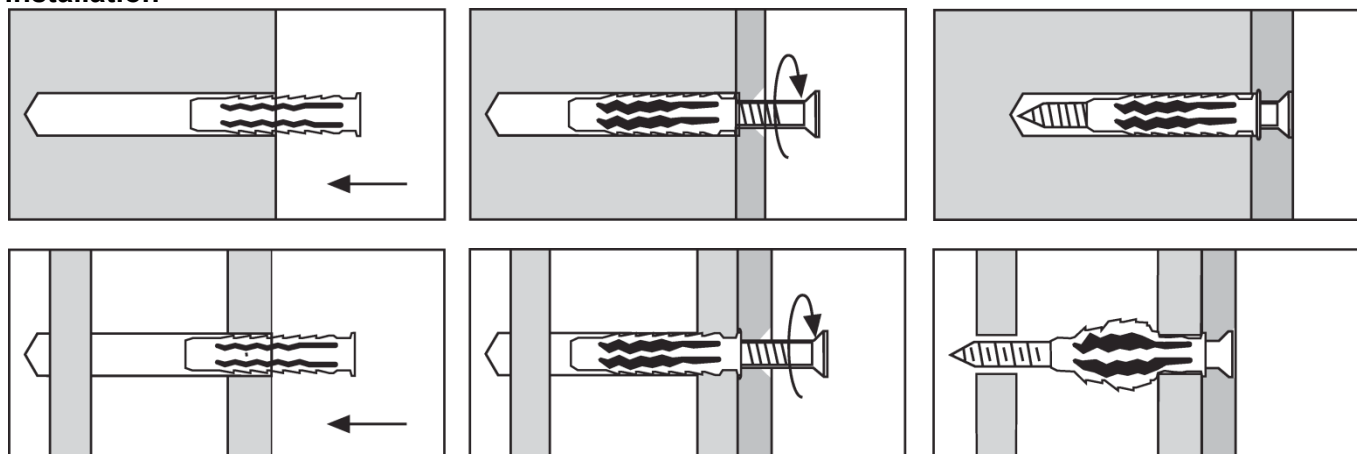
art.	descr.	d mm	L <sub>t</sub> mm	h <sub>1</sub> mm	d <sub>v</sub> mm	L <sub>v</sub> mm	t <sub>fix</sub> mm
65005	GL5VPS	5	25	35	4	30	5
65006	GL6VPS	6	30	45	4.5	40	10
65119	GL645VPS	6	45	60	4.5	50	20
65007	GL8VPS	8	40	55	5	50	10
65120	GL850VPS	8	50	65	5	60	20
65008	GL10VPS	10	50	65	6	60	10


**GL Nylon with wide-head screw, white-zinc plated**

art.	descr.	d mm	L <sub>t</sub> mm	h <sub>1</sub> mm	d <sub>v</sub> mm	L <sub>v</sub> mm	t <sub>fix</sub> mm
65087	GL5TL	5	25	35	3.5	30	5
65013	GL6TL	6	30	45	4.5	40	10
65013	GL8TL	8	40	55	5	50	10


**GL Nylon with hex head screw and washer**

art.	descr.	d mm	L <sub>t</sub> mm	h <sub>1</sub> mm	d <sub>v</sub> mm	L <sub>v</sub> mm	t <sub>fix</sub> mm
65064	GL8VM	8	40	55	6	50	10
65065	GL10VM	10	50	65	7	60	10
65066	GL12VM	12	60	80	8	70	10
65067	GL14VM	14	70	90	10	80	10


**Installation**

**Materials**

part	material	surface
plug	polyamide (Nylon) grey RAL 7035	-
screws and accessories	steel	white zinc plating $\geq 5 \mu\text{m}$ ISO 4042

**TECHNICAL DATASHEET**
**GL NYLON multipurpose plug**

 EN  
 rev 12/2017  
 p. 3/3

**Strength data**

in daN (1 daN ≈ 1 kg), valid for screws with maximum diameter for each size

**Characteristic resistance**

descr.	concrete C20/25	solid brick	hollow brick	AAC
GL5	180	150	80	40
GL6 – GL645	280	150	80	50
GL8 - GL850	300	200	150	90
GL10	470	400	300	110
GL12	580	460	330	130
GL14	790	510	360	200

 Appropriate safety factor is recommended ( $4 \div 5$ ).

Characteristic resistances derive from tests conducted in G&amp;B Fissaggi's laboratories according to international guidelines. Load values are valid only if installation is performed accurately. Designer is responsible for the choice of size and number of anchors.

**Recommended load**

descr.	concrete C20/25	solid brick	hollow brick	AAC
GL5	32	27	14	7
GL6 - GL645	50	27	14	9
GL8 - GL850	54	36	27	16
GL10	84	71	54	20
GL12	104	82	59	23
GL14	141	91	64	36

Recommended loads include the above mentioned partial safety factor 4 and the further safety factor 1.4.